

## Notes:

1. Maximum Electric Current: 785A
2. Maximum Electric Rating: Up to 2000V
3. Terminal Material: Copper
4. Wire Range: 750MCM

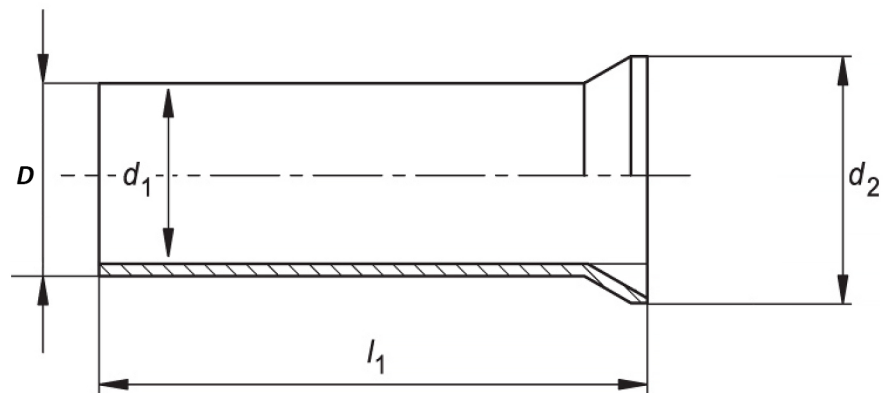
### Standard (Metric)

L1: 1.34 (34mm)  
D: 1.07 (27.2mm)  
D1: 1.02 (25.8mm)  
D2: 1.23 (31.3mm)

### Tolerances

(Unless Otherwise Specified)

<b>CATEGORY</b>	Non Insulated Wire Ferrule	<b>SCALE</b>	4/1
<b>PART #</b>	SF3940034	<b>SHEET</b>	1-1
<b>MATERIAL</b>	Tin-Plated Copper	<b>PAGE</b>	



FerrulesDirect

