

Notes:

1. Maximum Electric Current: 545A
2. Maximum Electric Rating: Up to 2000V
3. Terminal Material: Copper
4. Wire Range: 400MCM

Standard (Metric)

L1: 1.57 (40mm)
D: 0.89 (22.7mm)
D1: 0.85 (21.5mm)
D2: 0.94 (24mm)

Tolerances

(Unless Otherwise Specified)

CATEGORY

Non Insulated
Wire Ferrule

SCALE

4/1

PART #

SF2250040

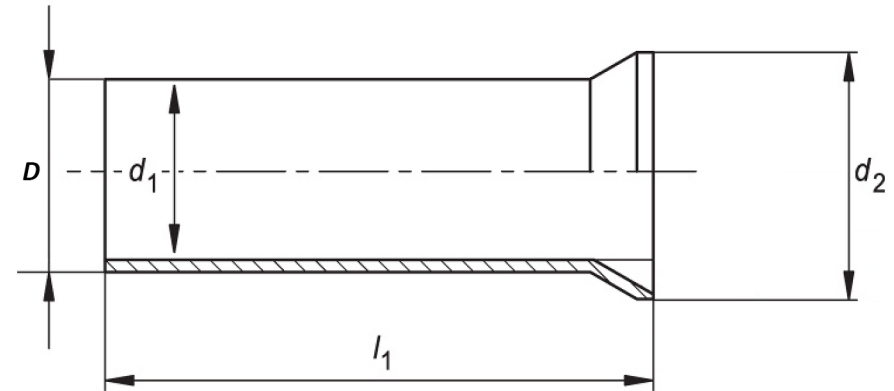
SHEET

1-1

MATERIAL

Tin-Plated Copper

PAGE



FerrulesDirect

