

## Notes:

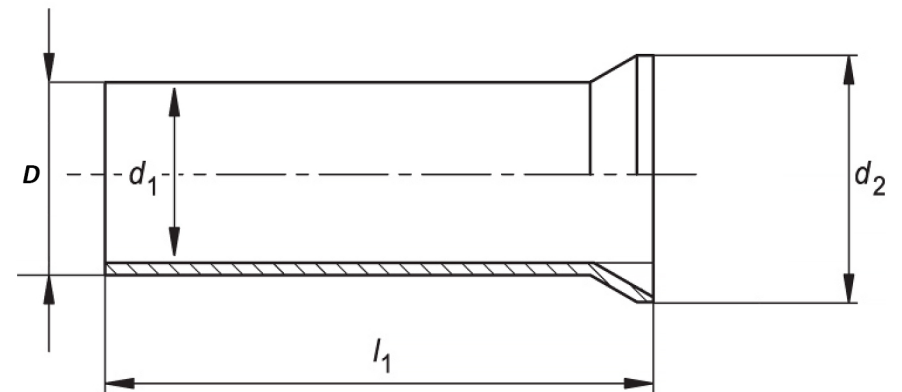
1. Maximum Electric Current: 95A
2. Maximum Electric Rating: Up to 2000V
3. Terminal Material: Copper
4. Wire Range: True 6 AWG (13.3mm<sup>2</sup>)

### Standard (Metric)

L1: 0.28 (7.0mm)  
D: 0.21 (5.4mm)  
D1: 0.20 (5.0mm)  
D2: 0.26 (6.7mm)

### Tolerances

(Unless Otherwise Specified)



**CATEGORY**

Non Insulated  
Wire Ferrule

**SCALE**

4/1

**PART #**

SF133007

**SHEET**

1-1

**MATERIAL**

Tin-Plated Copper

**PAGE**



**FerrulesDirect**