

Notes:

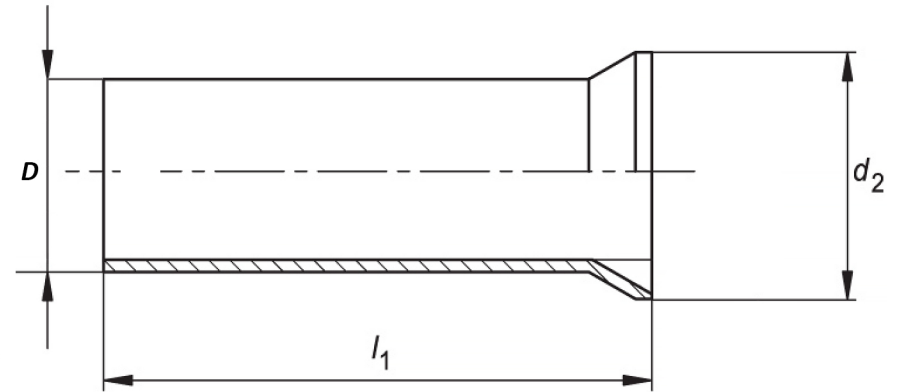
1. Maximum Amp Rating: 5.5 AMP
2. Maximum Voltage Rating: 2000V
3. Terminal Material: Tin Plated Copper
4. Wire Size: 26 AWG (0.14mm²)
5. Maximum Operating Temp: 302°F (150°C)

Standard (Metric)

L1: 0.27" (7.0mm)
D: 0.04" (0.9mm)
D1: 0.03" (0.7mm)
D2: 0.06" (1.5mm)

Tolerances

(Unless Otherwise Specified)



CATEGORY

Non Insulated
Wire Ferrules

SCALE

4/1

PART #

SF01407

SHEET

MATERIAL

Tin Plated Copper

PAGE



FerrulesDirect

