

Notes:

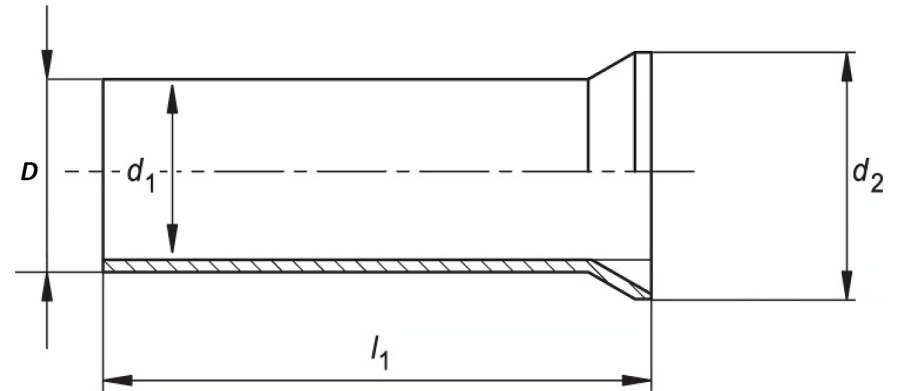
1. Maximum Electric Current: 200A
2. Maximum Electric Rating: Up to 2000V
3. Terminal Material: Copper
4. Wire Range: 3/0 AWG (95.00mm²)

Standard (Metric)

L1: 1.39 (34.0mm)
D: 0.60 (15.2mm)
D1: 0.57 (14.5mm)
D2: 0.68 (17.3mm)

Tolerances

(Unless Otherwise Specified)



CATEGORY

Non Insulated
Wire Ferrule

SCALE

4/1

PART #

N950034

SHEET

1-1

MATERIAL

Tin-Plated Copper

PAGE



FerrulesDirect