

Notes:

1. Maximum Electric Current: 230A
2. Maximum Electric Rating: Up to 2000V
3. Terminal Material: Tin Plated Copper
4. Wire Range: 1/0 AWG (56.00mm²)

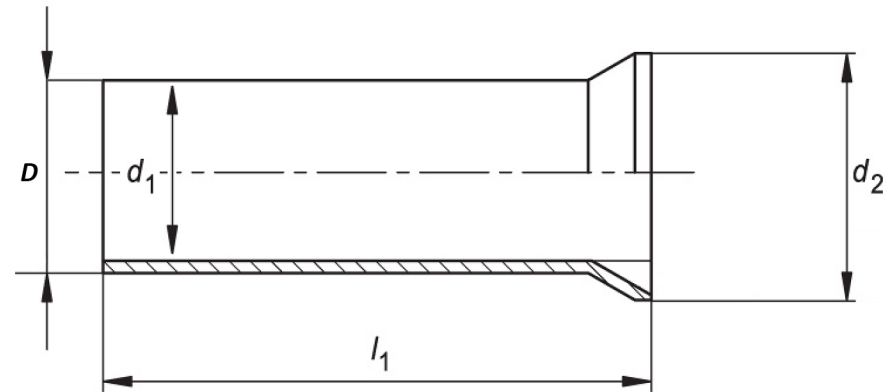
Standard (Metric)

L1: 1.18 (30.0mm)
D: 0.47 (12.0mm)
D1: 0.45 (11.4mm)
D2: 0.55 (14.0mm)

Tolerances

(Unless Otherwise Specified)

± 0.4mm



CATEGORY

Non Insulated
Wire Ferrule

SCALE

4/1

PART #

N560030

SHEET

1-1

MATERIAL

Tin-Plated Copper

PAGE



FerrulesDirect