

## Notes:

1. Maximum Electric Current: 230A
2. Maximum Electric Rating: Up to 2000V
3. Terminal Material: Tin Plated Copper
4. Wire Range: 1/0 AWG (56.00mm<sup>2</sup>)

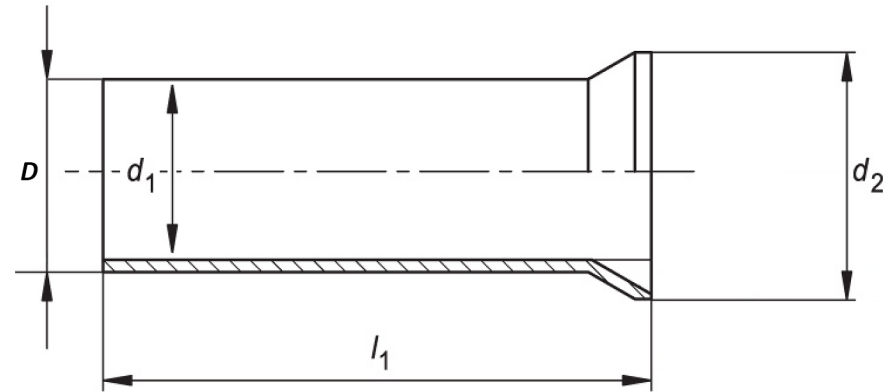
### Standard (Metric)

L1: 0.79 (20.0mm)  
D: 0.47 (12.0mm)  
D1: 0.45 (11.4mm)  
D2: 0.55 (14.0mm)

### Tolerances

(Unless Otherwise Specified)

± 0.4mm



**CATEGORY**

Non Insulated  
Wire Ferrule

**SCALE**

4/1

**PART #**

N560020

**SHEET**

1-1

**MATERIAL**

Tin-Plated Copper

**PAGE**



**FerrulesDirect**