

Notes:

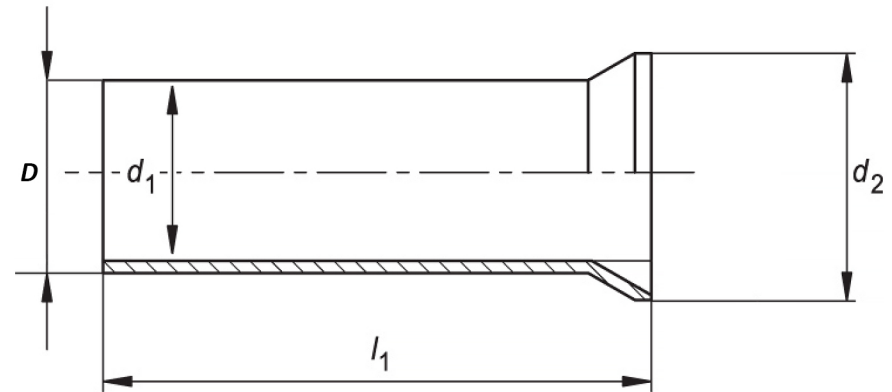
1. Maximum Electric Current: 195A
2. Maximum Electric Rating: Up to 2000V
3. Terminal Material: Copper
4. Wire Range: True 1 AWG (42.00mm²)

Standard (Metric)

L1: 0.79 (20.0mm)
D: 0.37 (9.4mm)
D1: 0.35 (8.8mm)
D2: 0.44 (11.1mm)

Tolerances

(Unless Otherwise Specified)



CATEGORY

Non Insulated
Wire Ferrule

SCALE

4/1

PART #

N420020

SHEET

1-1

MATERIAL

Tin-Plated Copper

PAGE



FerrulesDirect