

# TECHNICAL DRAWING - N40012

## Notes:

1. Cross Section: 4.00mm<sup>2</sup> (12AWG)
2. Maximum Electric Current: 35AMP
3. Maximum Electric Rating: 75°C
4. Voltage Rating: 2000V
5. Terminal Material: Copper
6. Terminal Surface Treatment: Tin Plating
7. Tensile Force: 60N

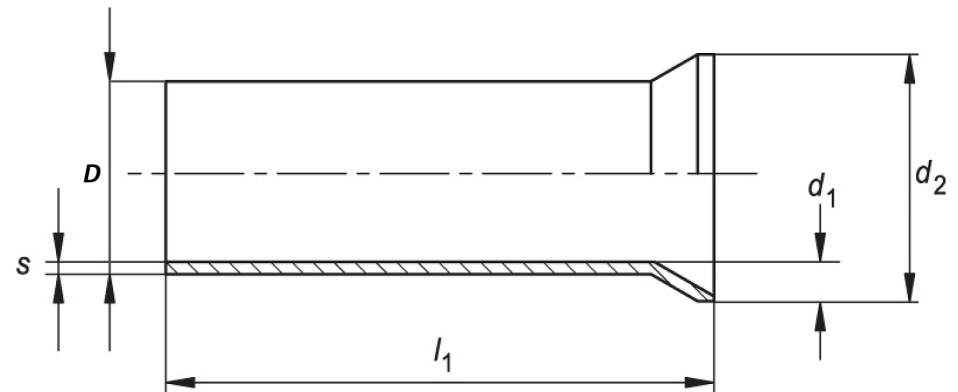
## Standard (Metric)

*L1*: 0.472" (12.0mm)  
*D*: 0.126" (3.2mm)  
*d1*: 0.110" (2.8mm)  
*d2*: 0.157" (4mm)  
*S*: 0.008" (0.2mm)

## Tolerances

(Unless Otherwise Specified)

*L1*: ±0.4  
*D*: +0.25  
*d1*: +0.25  
*d2*: -0.2  
*S*: ±0.05



<b>CATEGORY</b>	Non Insulated Wire Ferrules	<b>SHEET</b>	1-1
<b>PART #</b>	N40012		
<b>MATERIAL</b>	Tin-Plated Copper		



**FerrulesDirect**