

Notes:

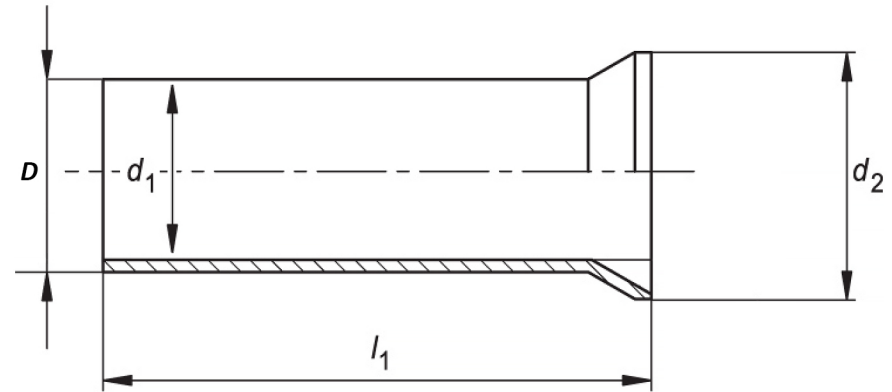
1. Maximum Electric Current: 125A
2. Maximum Electric Rating: Up to 2000V
3. Terminal Material: Copper
4. Wire Range: 4 AWG (25.00mm²)

Standard (Metric)

L1: 25mm (0.98")
D: 7.8mm (0.31")
D1: 7.2mm (0.28")
D2: 9.1mm (0.36")

Tolerances

(Unless Otherwise Specified)



CATEGORY

Non Insulated
Wire Ferrule

SCALE

4/1

PART #

N250025

SHEET

1-1

MATERIAL

Tin-Plated Copper

PAGE



FerrulesDirect

