

Notes:

1. Wire Range: 500MCM
2. Maximum Electric Current: 545AMP
3. Maximum Electric Rating: 105°C
4. Voltage Rating: 2000V
5. Terminal Material: Copper
6. Terminal Surface Treatment: Tin Plating

Standard (Metric)

L1: 40mm (1.57")
D: 24.2mm (0.89")
D1: 23mm (0.91")
D2: 25mm (0.98")

Tolerances

(Unless Otherwise Specified)

CATEGORY

Non Insulated Wire Ferrules

SCALE

1-1

PART

N2400040

MATERIAL

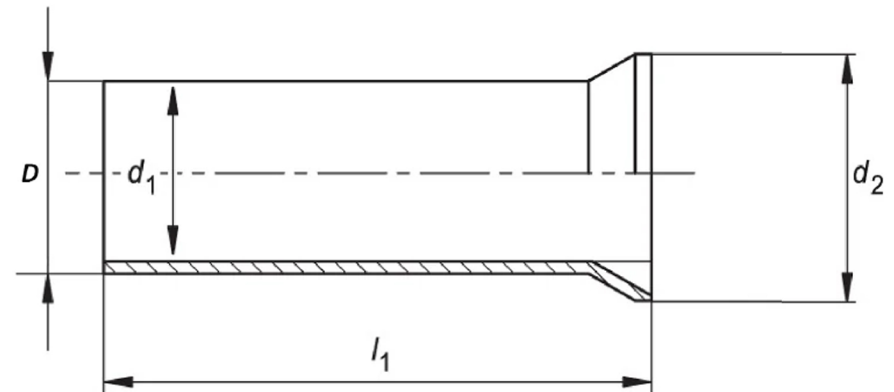
Tin-Plated Copper

PAGE

10F2



FerrulesDirect



For applicable tools, visit our website: www.FerrulesDirect.com