

Notes:

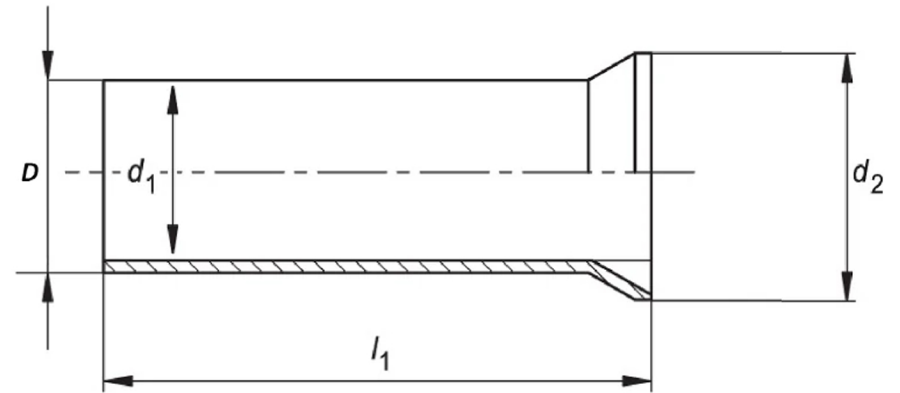
1. Wire Range: 500MCM
2. Maximum Electric Current: 545AMP
3. Maximum Electric Rating: 105°C
4. Voltage Rating: 2000V
5. Terminal Material: Copper
6. Terminal Surface Treatment: Tin Plating

Standard (Metric)

L1: 34mm (1.338")
D: 24.2mm (0.952")
D1: 23mm (0.905")
D2: 25mm (0.984")

Tolerances

(Unless Otherwise Specified)



CATEGORY

Non Insulated Wire Ferrules

SCALE

1-1

PART

N2400034

MATERIAL

Tin-Plated Copper

PAGE



FerrulesDirect

For applicable tools, visit our website: www.FerrulesDirect.com