

Notes:

1. Cross Section: True 14 AWG
2. Maximum Electric Current: 30AMP
3. Maximum Electric Rating: 105°C
4. Voltage Rating: 2000V
5. Terminal Material: Copper
6. Terminal Surface Treatment: Tin Plating

Standard (Metric)

L1: 0.31" (8.0mm)
D: 0.09" (2.5mm)
D1: 0.07" (1.9mm)
D2: 0.11" (2.9mm)

Tolerances

(Unless Otherwise Specified)

CATEGORY

Non Insulated Wire Ferrules

SCALE

1-1

PART

N20008

MATERIAL

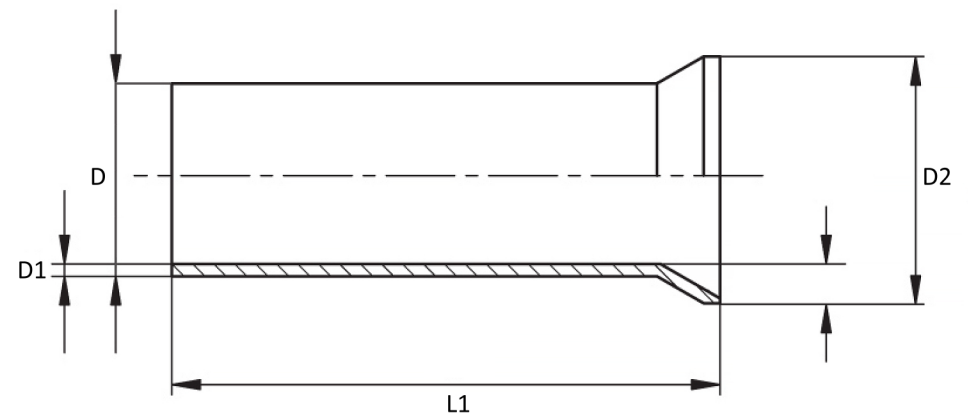
Tin-Plated Copper

PAGE

10F2



FerrulesDirect



For applicable tools, visit our website: www.FerrulesDirect.com