

Notes:

1. Maximum Electric Current: 445A
2. Maximum Electric Rating: Up to 2000V
3. Terminal Material: Copper
4. Wire Range: 350MCM (185.00mm²)

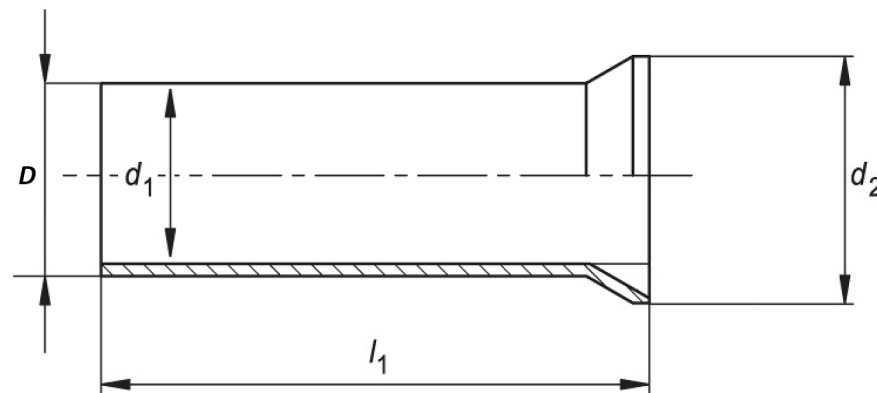
Standard (Metric)

L1: 1.26 (32mm)
D: 0.81 (20.6mm)
D1: 0.77 (19.6mm)
D2: 0.91 (23mm)

Tolerances

(Unless Otherwise Specified)

CATEGORY	Non Insulated Wire Ferrule	SCALE	4/1
PART #	N1850032	SHEET	1-1
MATERIAL	Tin-Plated Copper	PAGE	



FerrulesDirect

