

Notes:

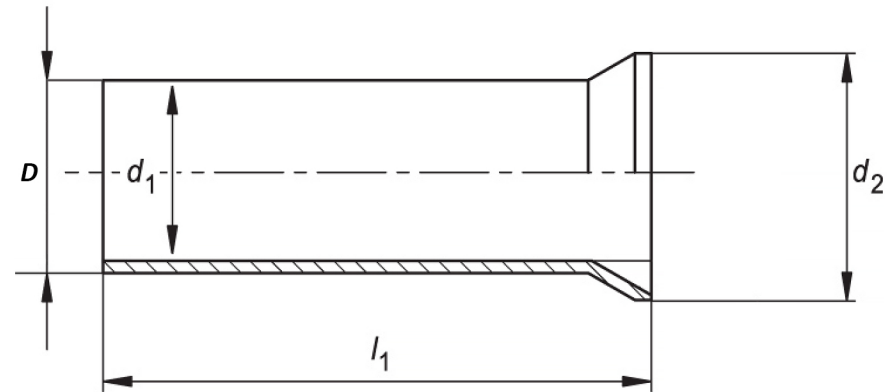
1. Maximum Electric Current: 360A
2. Maximum Electric Rating: Up to 2000V
3. Terminal Material: Copper
4. Wire Range: 4/0 AWG (120.00mm²)

Standard (Metric)

L1: 1.57 (40.0mm)
D: 0.697 (17.7mm)
D1: 0.657 (16.7mm)
D2: 0.748 (19mm)

Tolerances

(Unless Otherwise Specified)



CATEGORY

Non Insulated
Wire Ferrule

SCALE

4/1

PART #

N1200040

SHEET

1-1

MATERIAL

Tin-Plated Copper

PAGE



FerrulesDirect