

## Notes:

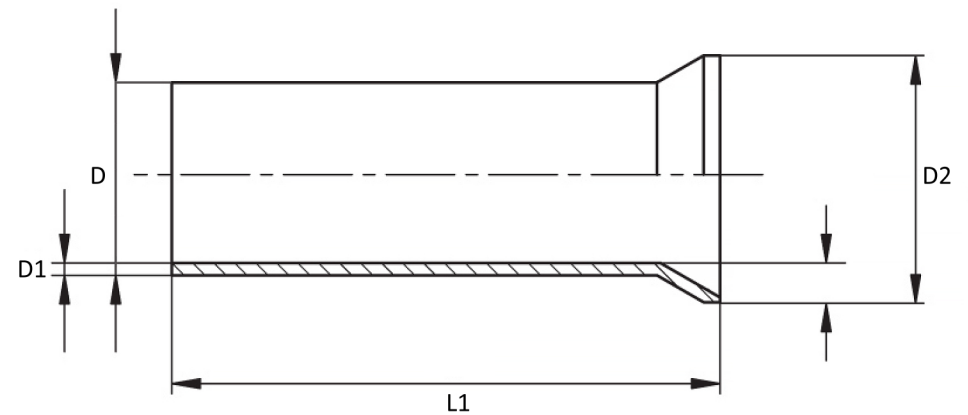
1. Cross Section: 4/0 AWG (120mm<sup>2</sup>)
2. Maximum Electric Current: 360AMP
3. Maximum Electric Rating: 105°C
4. Voltage Rating: 2000V
5. Terminal Material: Copper
6. Terminal Surface Treatment: Tin Plating

### Standard (Metric)

L1: 20.0mm (0.78")  
D: 17.7mm (0.69")  
D1: 16.7mm (0.65")  
D2: 19.0mm (0.75")

### Tolerances

(Unless Otherwise Specified)



<b>CATEGORY</b>	Non Insulated Wire Ferrules	<b>SCALE</b>	1-1
<b>PART #</b>	N1200020		
<b>MATERIAL</b>	Tin-Plated Copper	<b>PAGE</b>	10F2



**FerrulesDirect**

For applicable tools, visit our website: [www.FerrulesDirect.com](http://www.FerrulesDirect.com)