

Notes:

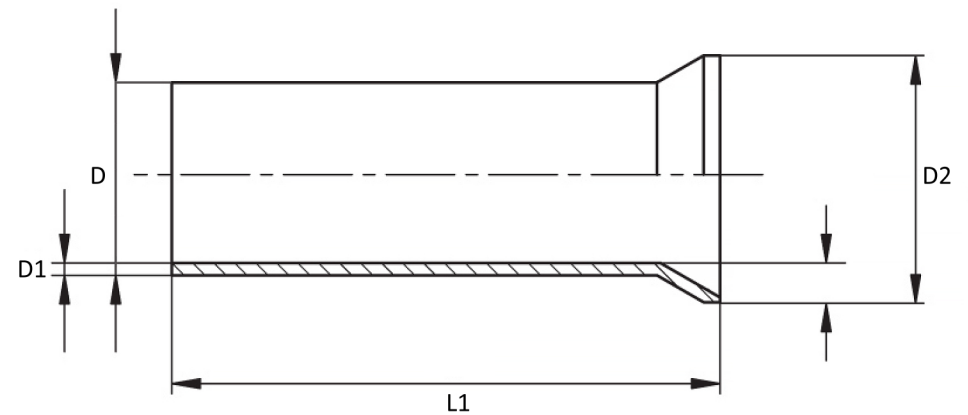
1. Cross Section: 20AWG
2. Maximum Electric Current: 17AMP
3. Maximum Electric Rating: 105°C
4. Voltage Rating: 2000V
5. Terminal Material: Copper
6. Terminal Surface Treatment: Tin Plating

Standard (Metric)

L1: 12.0mm (0.47")
D: 1.5mm (0.06")
D1: 1.2mm (0.05")
D2: 2.3mm (0.08")

Tolerances

(Unless Otherwise Specified)



CATEGORY

Non Insulated Wire Ferrules

SCALE

1-1

PART

N07512

MATERIAL

Tin-Plated Copper

PAGE

10F2



FerrulesDirect

For applicable tools, visit our website: www.FerrulesDirect.com