

## Notes:

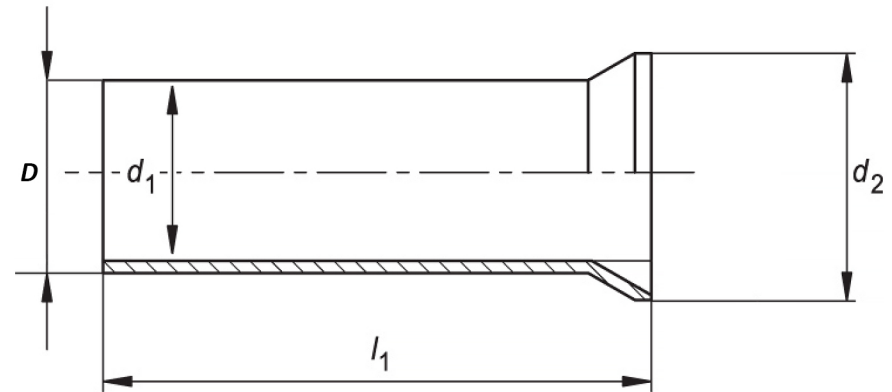
1. Maximum Electric Current: 12A
2. Maximum Electric Rating: Up to 2000V
3. Terminal Material: Copper
4. Wire Range: 22 AWG (0.50mm<sup>2</sup>)

### Standard (Metric)

L1: 0.39 (10.0mm)  
D: 0.05 (1.3mm)  
D1: 0.04 (1.0mm)  
D2: 0.08 (2.1mm)

### Tolerances

(Unless Otherwise Specified)



**CATEGORY**

Non Insulated  
Wire Ferrule

**SCALE**

4/1

**PART #**

N05010

**SHEET**

1-1

**MATERIAL**

Tin-Plated Copper

**PAGE**



**FerrulesDirect**

