

## Notes:

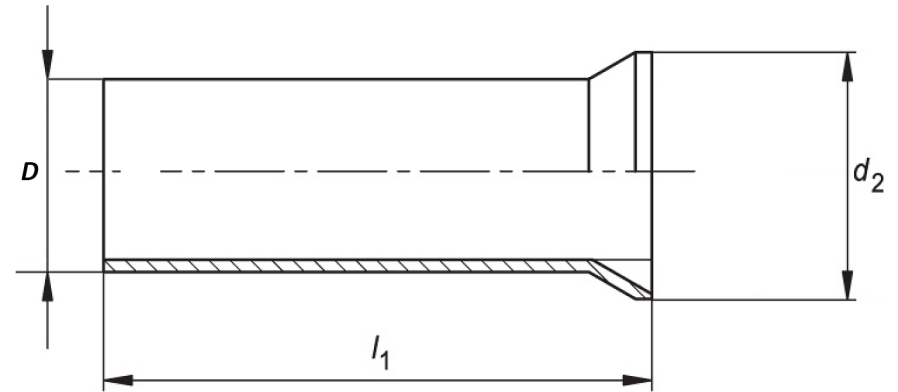
1. Maximum Amp Rating: 5.5 AMP
2. Maximum Voltage Rating: 2000V
3. Terminal Material: Copper
4. Wire Size: 26 AWG
5. Surface Treatment: Tin Plating

### Standard (Metric)

L1: 0.196" (5.0mm)  
D: 0.046" (1.18mm)  
D1: 0.027" (0.7mm)  
D2: 0.060" (1.54mm)

### Tolerances

(Unless Otherwise Specified)



CATEGORY

Non Insulated  
Wire Ferrules

SCALE

4/1

PART #

N01405

SHEET

MATERIAL

Tin-Plated Copper

PAGE



FerrulesDirect

