

## Notes:

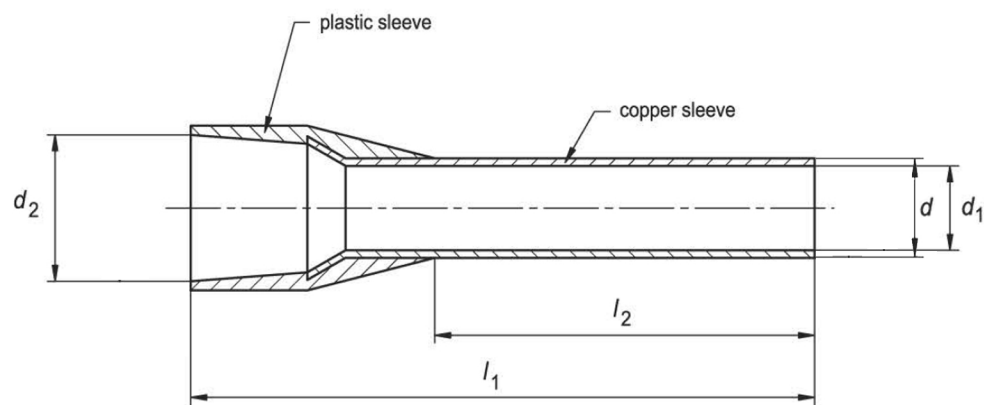
1. Maximum Electric Current: 70A
2. Maximum Electric Rating: 105°C 600 Volts Max
3. Insulation Material: Nylon
4. Insulation Color: Ivory
5. Terminal Material: Copper
6. Wire Range: True 8 AWG (8.37mm<sup>2</sup>)

### Standard (Metric)

L1: 0.93 (23.6mm)  
 L2: 0.59 (15.0mm)  
 D: 0.17 (4.2mm)  
 D1: 0.15 (3.7mm)  
 D2: 0.30 (7.6mm)

### Tolerances

(Unless Otherwise Specified)



<b>CATEGORY</b>	Insulated Wire Ferrule	<b>SCALE</b>	4/1
<b>PART #</b>	AW80015	<b>SHEET</b>	1-1
<b>MATERIAL</b>	Tin-Plated Copper	<b>PAGE</b>	

