

Notes:

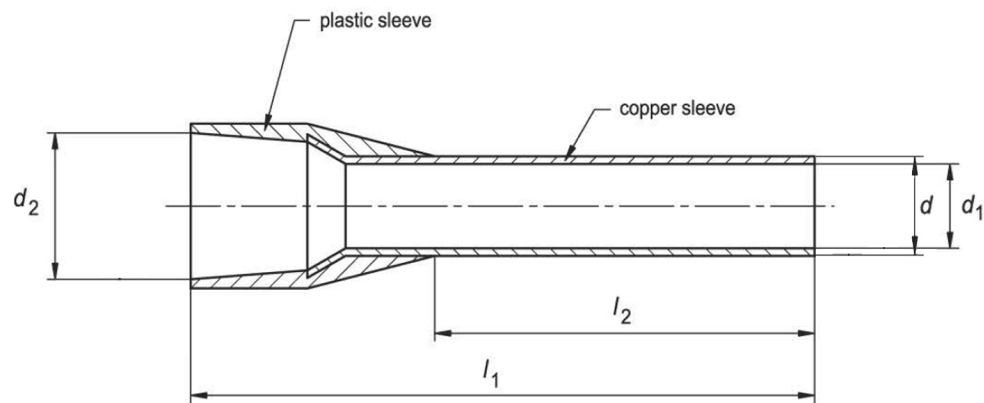
1. Maximum Electric Current: 50A
2. Maximum Electric Rating: 105°C 600 Volts Max
3. Insulation Material: Nylon
4. Insulation Color: Black
5. Terminal Material: Copper
6. Wire Range: 10 AWG (6.00mm²)

Standard (Metric)

L1: 0.79 (20mm)
L2: 0.47 (12.0mm)
D: 0.15 (3.9mm)
D1: 0.14 (3.5mm)
D2: 0.25 (6.3mm)

Tolerances

(Unless Otherwise Specified)



CATEGORY	Insulated Wire Ferrule	SCALE	4/1
PART #	AW60012	SHEET	1-1
MATERIAL	Tin-Plated Copper	PAGE	

