

## Notes:

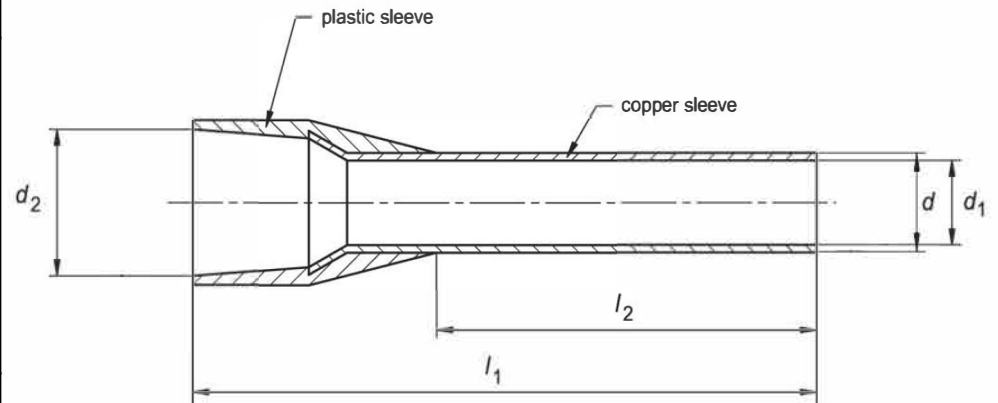
1. Maximum Electric Current: 50A
2. Maximum Electric Rating: 105°C 600 Volts Max
3. Insulation Material: Nylon
4. Insulation Color: Black
5. Terminal Material: Copper
6. Wire Range: 10 AWG (6.00mm<sup>2</sup>)

### Standard (Metric)

L1: 0.73 (18.5mm)  
L2: 0.39 (10.0mm)  
D: 0.15 (3.9mm)  
D1: 0.14 (3.5mm)  
D2: 0.25 (6.3mm)

### Tolerances

(Unless Otherwise Specified)



CATEGORY

Insulated Wire Ferrule

SCALE

4/1

PART #

AW60010

SHEET

1-1

MATERIAL

Tin-Plated Copper

PAGE



FerrulesDirect

