

Notes:

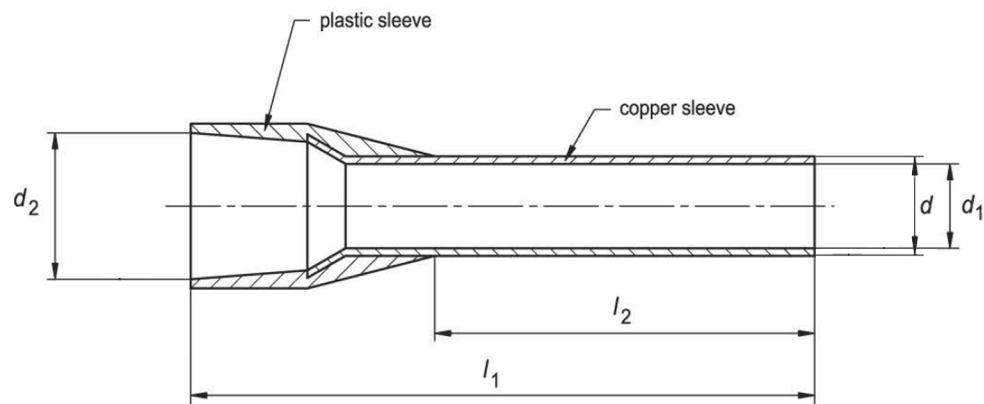
1. Maximum Electric Current: 195A
2. Maximum Electric Rating: 105°C 600 Volts Max
3. Insulation Material: Nylon
4. Insulation Color: Olive Green
5. Terminal Material: Copper
6. Wire Range: True 1 AWG (42.4mm²)

Standard (Metric)

L1: 1.81 (46.0mm)
 L2: 1.18 (30.0mm)
 D: 0.36 (9.2mm)
 D1: 0.32 (8.2mm)
 D2: 0.49 (12.5mm)

Tolerances

(Unless Otherwise Specified)



CATEGORY	Insulated Wire Ferrule	SCALE	4/1
PART #	AW420030	SHEET	1-1
MATERIAL	Tin-Plated Copper	PAGE	



FerrulesDirect

