

## Notes:

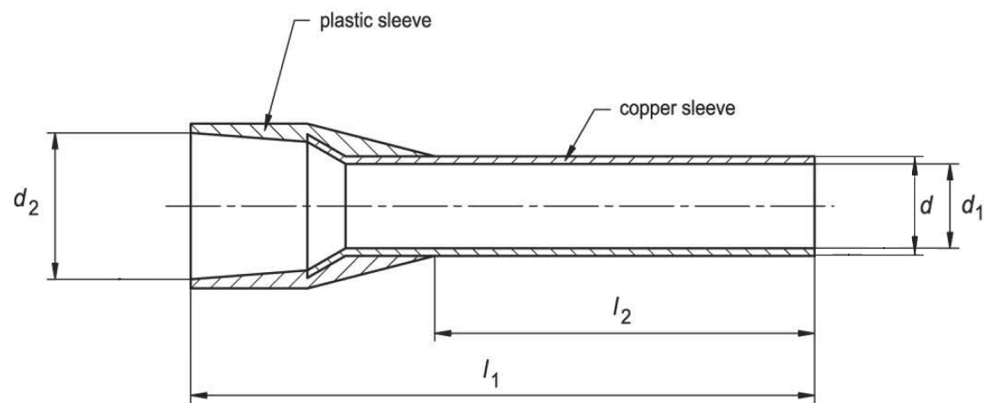
1. Maximum Electric Current: 195A
2. Maximum Electric Rating: 105°C 600 Volts Max
3. Insulation Material: Nylon
4. Insulation Color: Olive Green
5. Terminal Material: Copper
6. Wire Range: True 1 AWG (42.4mm<sup>2</sup>)

## Standard (Metric)

L1: 1.58 (40.0mm)  
 L2: 0.98 (25.0mm)  
 D: 0.36 (9.2mm)  
 D1: 0.32 (8.2mm)  
 D2: 0.49 (12.5mm)

## Tolerances

(Unless Otherwise Specified)



<b>CATEGORY</b>	Insulated Wire Ferrule	<b>SCALE</b>	4/1
<b>PART #</b>	AW420025	<b>SHEET</b>	1-1
<b>MATERIAL</b>	Tin-Plated Copper	<b>PAGE</b>	

