

## Notes:

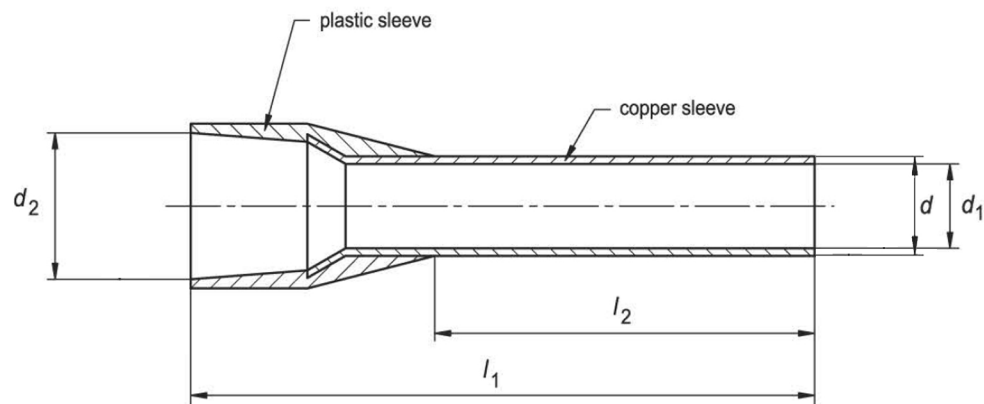
1. Maximum Electric Current: 30A
2. Maximum Electric Rating: 105°C 600 Volts Max
3. Insulation Material: Nylon
4. Insulation Color: Blue
5. Terminal Material: Copper
6. Wire Range: 14 AWG (2.50mm<sup>2</sup>)

### Standard (Metric)

L1: 0.95 (24.0mm)  
 L2: 0.71 (18.0mm)  
 D: 0.10 (2.5mm)  
 D1: 0.09 (2.2mm)  
 D2: 0.18 (4.7mm)

### Tolerances

(Unless Otherwise Specified)



<b>CATEGORY</b>	Insulated Wire Ferrule	<b>SCALE</b>	4/1
<b>PART #</b>	AW25018L	<b>SHEET</b>	1-1
<b>MATERIAL</b>	Tin-Plated Copper	<b>PAGE</b>	



**FerrulesDirect**

