

## Notes:

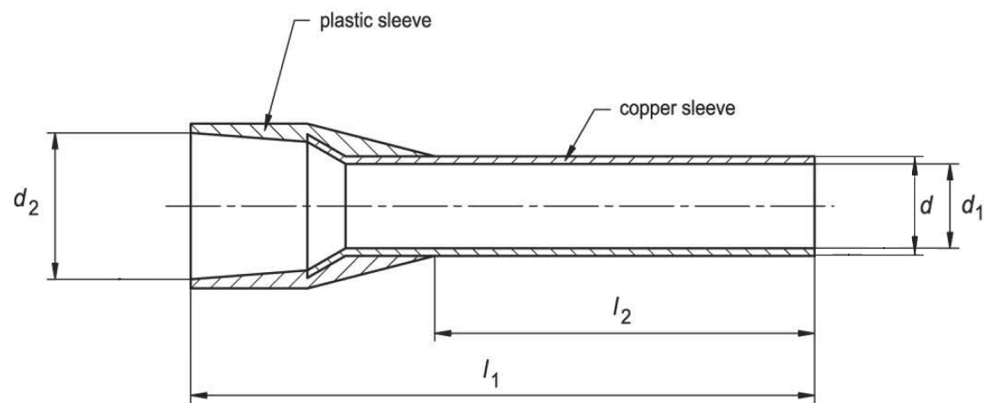
1. Maximum Electric Current: 30A
2. Maximum Electric Rating: 105°C 600 Volts Max
3. Insulation Material: Nylon
4. Insulation Color: Light Blue
5. Terminal Material: Copper
6. Wire Range: 14 AWG (2.50mm<sup>2</sup>)

## Standard (Metric)

L1: 0.59 (15.0mm)  
L2: 0.32 (8.0mm)  
D: 0.10 (2.5mm)  
D1: 0.09 (2.2mm)  
D2: 0.17 (4.2mm)

## Tolerances

(Unless Otherwise Specified)



### CATEGORY

Insulated Wire Ferrule

### SCALE

4/1

### PART #

AW25008LB

### SHEET

1-1

### MATERIAL

Tin-Plated Copper

### PAGE



FerrulesDirect

