

Notes:

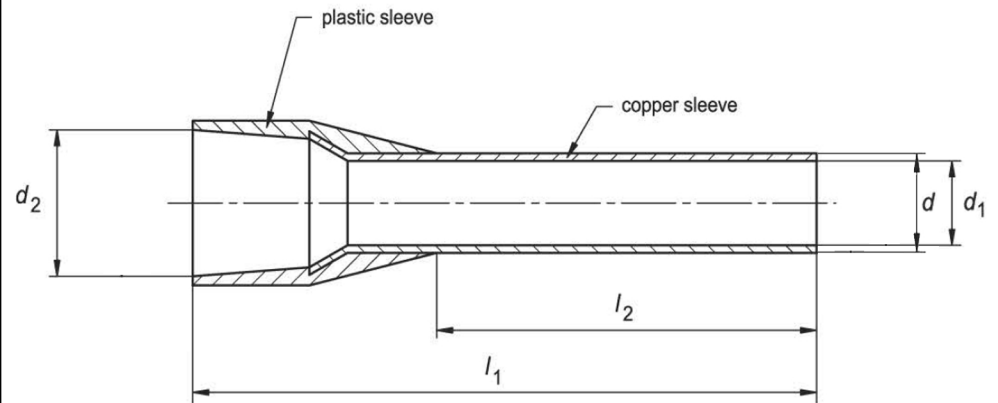
1. Maximum Electric Current: 125A
2. Maximum Electric Rating: 105°C 600 Volts Max
3. Insulation Material: Nylon
4. Insulation Color: Brown
5. Terminal Material: Copper
6. Wire Range: True 4 AWG (21.2mm²)

Standard (Metric)

L1: 1.45 (37.0mm)
L2: 0.98 (25.0mm)
D: 0.25 (6.3mm)
D1: 0.23 (5.9mm)
D2: 0.44 (11.2mm)

Tolerances

(Unless Otherwise Specified)



CATEGORY	Insulated Wire Ferrule	SCALE	4/1
PART #	AW212025	SHEET	1-1
MATERIAL	Tin-Plated Copper	PAGE	



FerrulesDirect

