

## Notes:

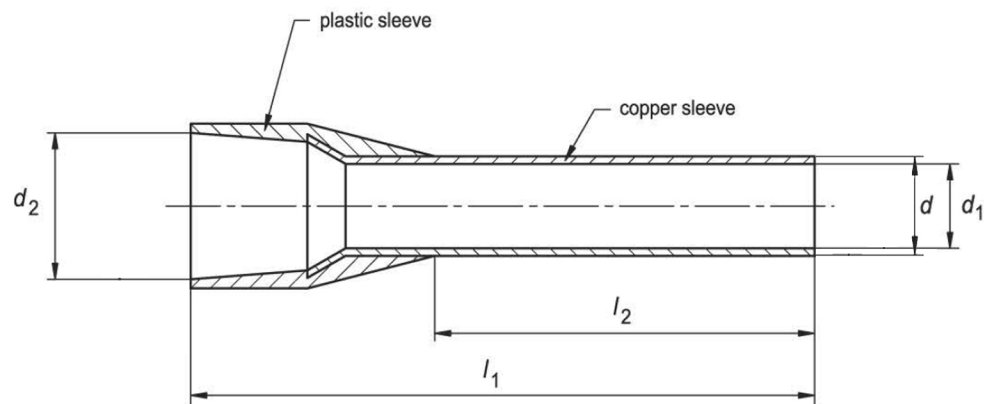
1. Maximum Electric Current: 125A
2. Maximum Electric Rating: 105°C 600 Volts Max
3. Insulation Material: Nylon
4. Insulation Color: Brown
5. Terminal Material: Copper
6. Wire Range: True 4 AWG (21.2mm<sup>2</sup>)

### Standard (Metric)

L1: 1.10 (28.0mm)  
 L2: 0.63 (16.0mm)  
 D: 0.25 (6.3mm)  
 D1: 0.23 (5.9mm)  
 D2: 0.44 (11.2mm)

### Tolerances

(Unless Otherwise Specified)



|                 |                        |              |     |
|-----------------|------------------------|--------------|-----|
| <b>CATEGORY</b> | Insulated Wire Ferrule | <b>SCALE</b> | 4/1 |
| <b>PART #</b>   | AW212016               | <b>SHEET</b> | 1-1 |
| <b>MATERIAL</b> | Tin-Plated Copper      | <b>PAGE</b>  |     |



**FerrulesDirect**

