

Notes:

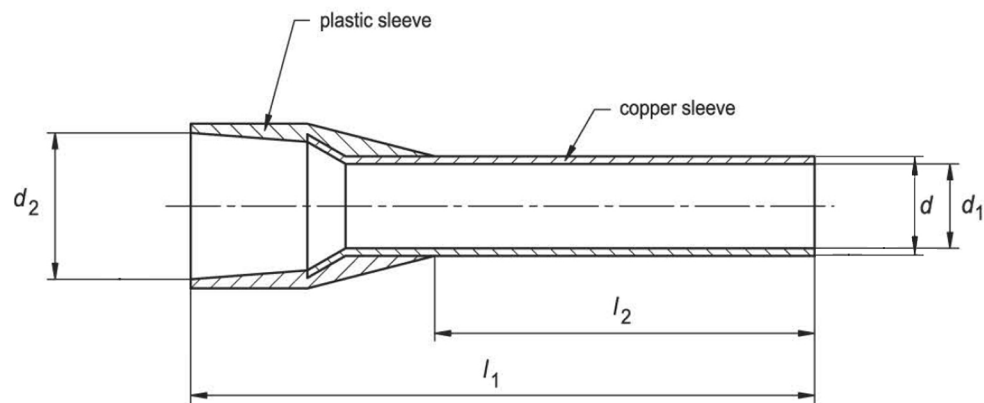
1. Maximum Electric Current: 30A
2. Maximum Electric Rating: 105°C 600 Volts Max
3. Insulation Material: Nylon
4. Insulation Color: Yellow
5. Terminal Material: Copper
6. Wire Range: True 14 AWG (2.08mm²)

Standard (Metric)

L1: 0.59 (15.0mm)
L2: 0.32 (8.0mm)
D: 0.09 (2.4mm)
D1: 0.08 (2.05mm)
D2: 0.13 (3.4mm)

Tolerances

(Unless Otherwise Specified)



CATEGORY

Insulated Wire Ferrule

SCALE

4/1

PART #

AW20008

SHEET

1-1

MATERIAL

Tin-Plated Copper

PAGE



FerrulesDirect

