

Notes:

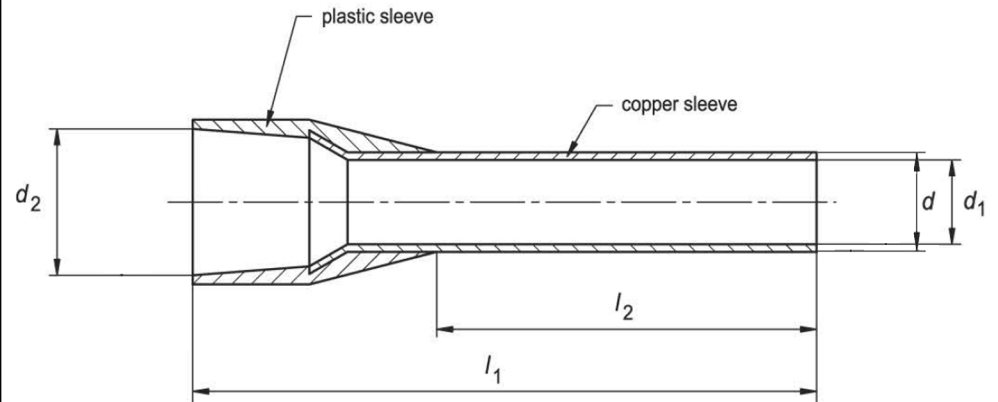
1. Maximum Electric Current: 18A
2. Maximum Electric Rating: 105°C 600 Volts Max
3. Insulation Material: Nylon
4. Insulation Color: Red
5. Terminal Material: Copper
6. Wire Range: 16 AWG (1.50mm²)

Standard (Metric)

L1: 0.71 (18.0mm)
L2: 0.47 (12.0mm)
D: 0.08 (2.0mm)
D1: 0.07 (1.7mm)
D2: 0.15 (3.8mm)

Tolerances

(Unless Otherwise Specified)



CATEGORY

Insulated Wire Ferrule

SCALE

4/1

PART

AW15012-L

SHEET

1-1

MATERIAL

Tin-Plated Copper

PAGE



FerrulesDirect

