

## Notes:

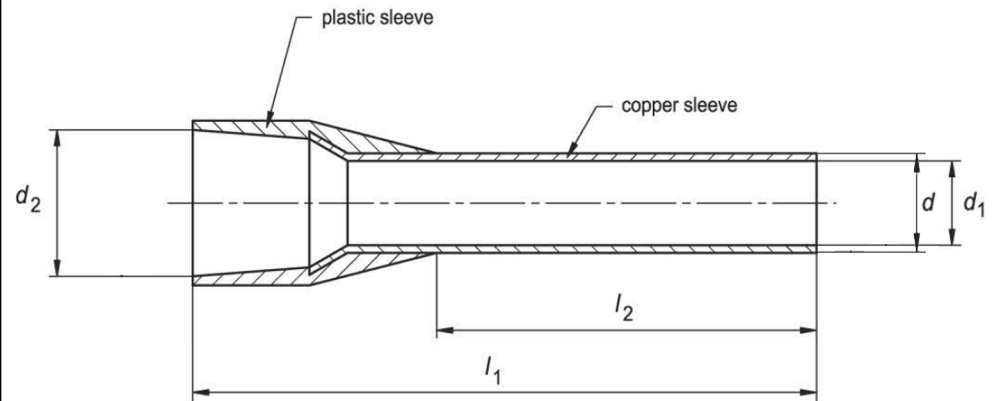
1. Maximum Electric Current: 12A
2. Maximum Electric Rating: 105°C 600 Volts Max
3. Insulation Material: Nylon
4. Insulation Color: Orange
5. Terminal Material: Copper
6. Wire Range: 22 AWG (0.50mm<sup>2</sup>)

## Standard (Metric)

L1: 0.47 (12mm)  
L2: 0.24 (6.0mm)  
D: 0.051 (1.3mm)  
D1: 0.04 (1.0mm)  
D2: 0.102 (2.6mm)

## Tolerances

(Unless Otherwise Specified)



**CATEGORY**

Insulated Wire Ferrule

**SCALE**

4/1

**PART #**

AW05006

**SHEET**

1-1

**MATERIAL**

Tin-Plated Copper

**PAGE**



**FerrulesDirect**

