

## Notes:

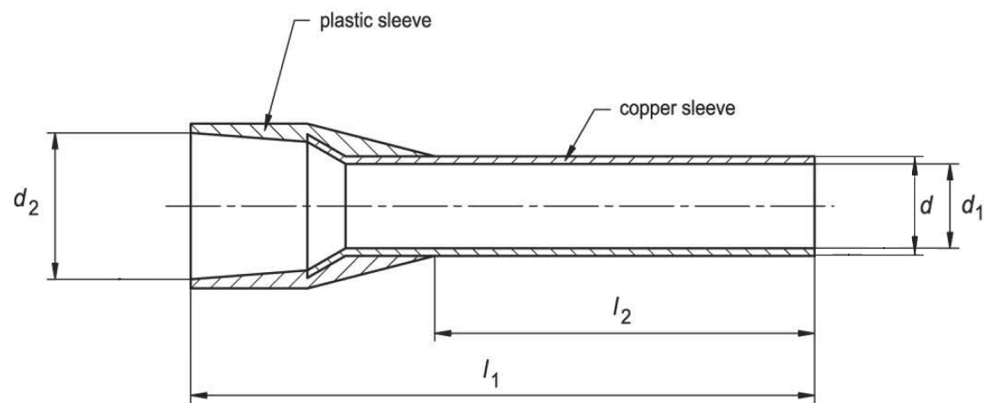
1. Maximum Electric Current: 7A
2. Maximum Electric Rating: 105°C 600 Volts Max
3. Insulation Material: Nylon
4. Insulation Color: Light Blue
5. Terminal Material: Copper
6. Wire Range: 24 AWG (0.25mm<sup>2</sup>)

## Standard (Metric)

L1: 0.49 (12.4mm)  
L2: 0.32 (8.0mm)  
D: 0.043 (1.10mm)  
D1: 0.031 (0.8mm)  
D2: 0.062 (1.6mm)

## Tolerances

(Unless Otherwise Specified)



CATEGORY

Insulated Wire Ferrule

SCALE

4/1

PART #

AW02508

SHEET

1-1

MATERIAL

Tin-Plated Copper

PAGE



FerrulesDirect

