

Notes:

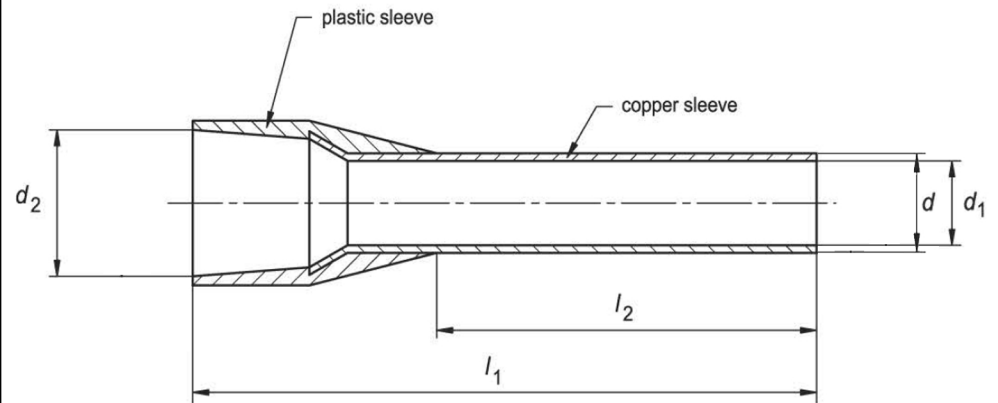
1. Maximum Electric Current: 30A
2. Maximum Electric Rating: 105°C 600 Volts Max
3. Insulation Material: Nylon
4. Insulation Color: Gray
5. Terminal Material: Copper
6. Wire Range: 14 AWG (2.50mm²)

Standard (Metric)

L1: 0.59 (15.0mm)
L2: 0.32 (8.0mm)
D: 0.10 (2.5mm)
D1: 0.09 (2.2mm)
D2: 0.18 (4.7mm)

Tolerances

(Unless Otherwise Specified)



CATEGORY

Insulated Wire Ferrule

SCALE

4/1

PART #

AT25008L

SHEET

1-1

MATERIAL

Tin-Plated Copper

PAGE



FerrulesDirect

