

Notes:

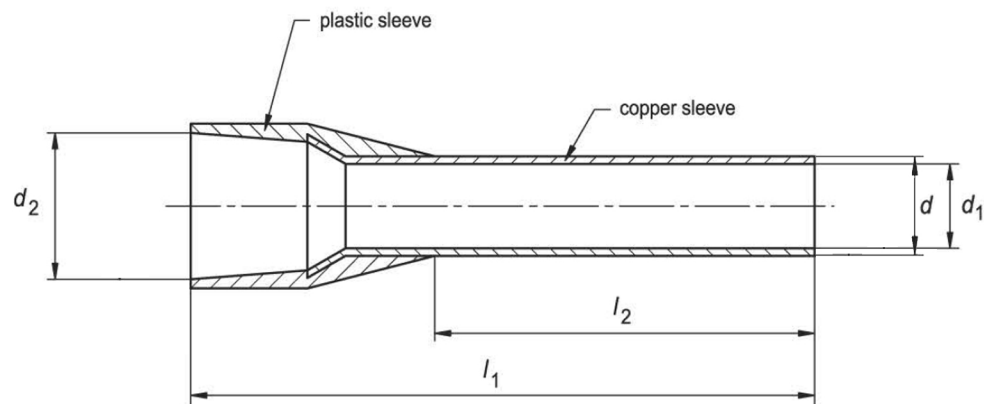
1. Maximum Electric Current: 125A
2. Maximum Electric Rating: 105°C 600 Volts Max
3. Insulation Material: Nylon
4. Insulation Color: Black
5. Terminal Material: Copper
6. Wire Range: 4 AWG (25.00mm²)

Standard (Metric)

L1: 1.18 (30.0mm)
 L2: 0.71 (18.0mm)
 D: 0.30 (7.7mm)
 D1: 0.29 (7.3mm)
 D2: 0.44 (11.2mm)

Tolerances

(Unless Otherwise Specified)



CATEGORY	Insulated Wire Ferrule	SCALE	4/1
PART #	AT250018	SHEET	1-1
MATERIAL	Tin-Plated Copper	PAGE	

