

Notes:

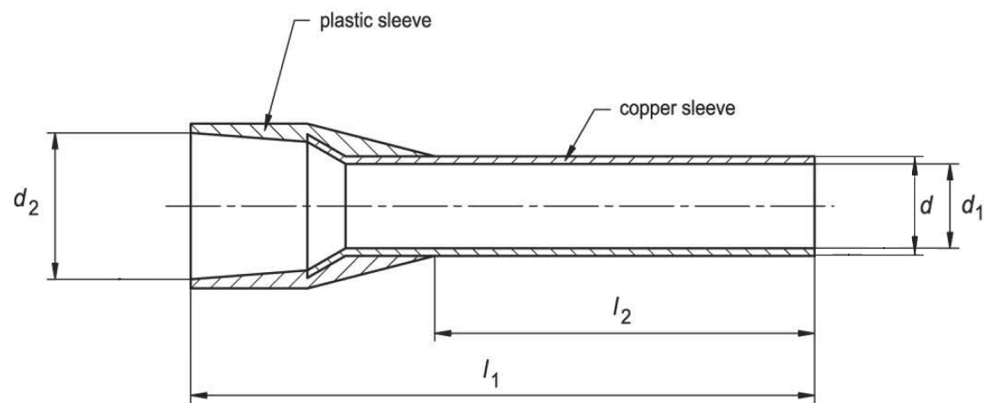
1. Maximum Electric Current: 125A
2. Maximum Electric Rating: 105°C 600 Volts Max
3. Insulation Material: Nylon
4. Insulation Color: Black
5. Terminal Material: Copper
6. Wire Range: True 4 AWG (21.2mm²)

Standard (Metric)

L1: 1.18 (30.0mm)
L2: 0.71 (18.0mm)
D: 0.25 (6.3mm)
D1: 0.23 (5.9mm)
D2: 0.44 (11.2mm)

Tolerances

(Unless Otherwise Specified)



CATEGORY

Insulated Wire Ferrule

SCALE

4/1

PART

AT212018

SHEET

1-1

MATERIAL

Tin-Plated Copper

PAGE



FerrulesDirect

