

Notes:

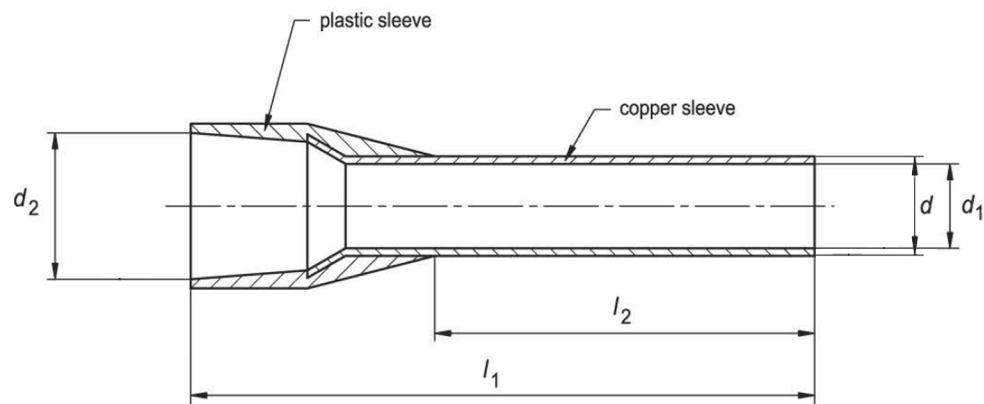
1. Maximum Electric Current: 125A
2. Maximum Electric Rating: 105°C 600 Volts Max
3. Insulation Material: Nylon
4. Insulation Color: Black
5. Terminal Material: Copper
6. Wire Range: True 4 AWG (21.2mm²)

Standard (Metric)

L1: 1.10 (28.0mm)
 L2: 0.63 (16.0mm)
 D: 0.25 (6.3mm)
 D1: 0.23 (5.9mm)
 D2: 0.44 (11.2mm)

Tolerances

(Unless Otherwise Specified)



CATEGORY	Insulated Wire Ferrule	SCALE	4/1
PART #	AT212016	SHEET	1-1
MATERIAL	Tin-Plated Copper	PAGE	



FerrulesDirect

