

Notes:

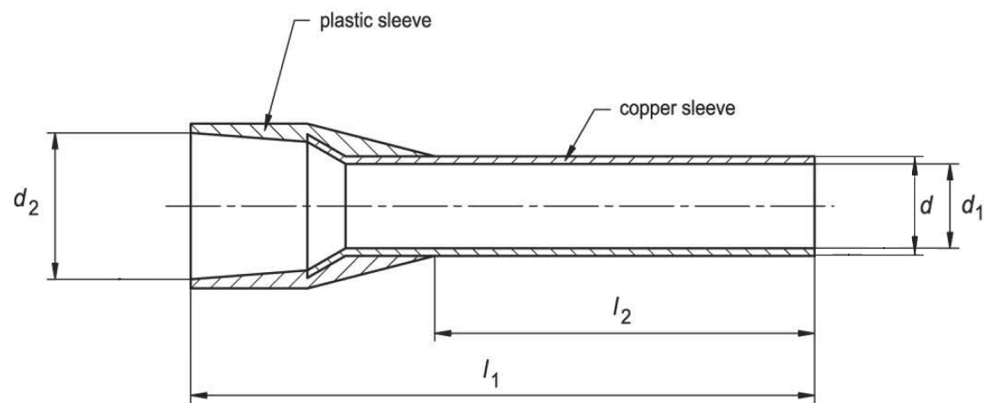
1. Maximum Electric Current: 70A
2. Maximum Electric Rating: 105°C 600 Volts Max
3. Insulation Material: Nylon
4. Insulation Color: Brown
5. Terminal Material: Copper
6. Wire Range: 8 AWG (10.00mm²)

Standard (Metric)

L1: 0.87 (22.0mm)
 L2: 0.47 (12.0mm)
 D: 0.19 (4.9mm)
 D1: 0.18 (4.5mm)
 D2: 0.30 (7.6mm)

Tolerances

(Unless Otherwise Specified)



CATEGORY	Insulated Wire Ferrule	SCALE	4/1
PART #	AT100012	SHEET	1-1
MATERIAL	Tin-Plated Copper	PAGE	

