

Notes:

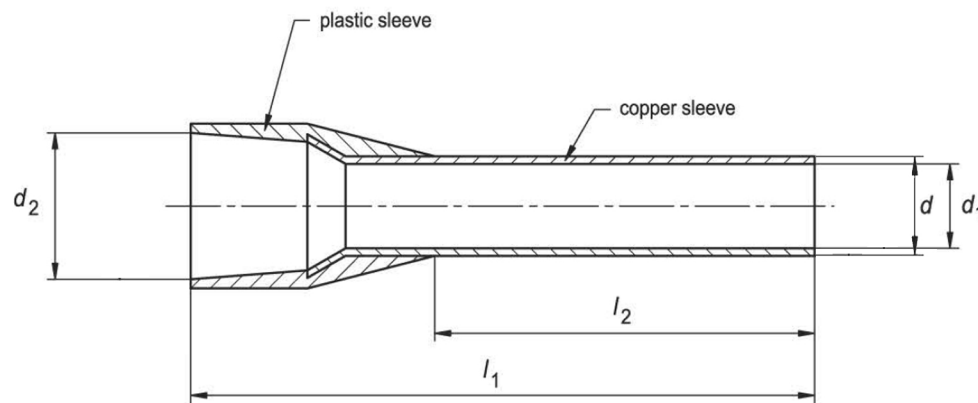
1. Maximum Electric Current: 35A
2. Maximum Electric Rating: 105°C 600 Volts Max
3. Insulation Material: Nylon
4. Insulation Color: Red
5. Terminal Material: Copper
6. Wire Range: 12 AWG (4.00mm²)

Standard (Metric)

L1: 1.02 (26.0mm)
 L2: 0.71 (18.0mm)
 D: 0.13 (3.3mm)
 D1: 0.11 (2.8mm)
 D2: 0.19 (4.8mm)

Tolerances

(Unless Otherwise Specified)



CATEGORY	Insulated Wire Ferrule	SCALE	4/1
PART #	AS40018	SHEET	1-1
MATERIAL	Tin-Plated Copper	PAGE	



FerrulesDirect

