

Notes:

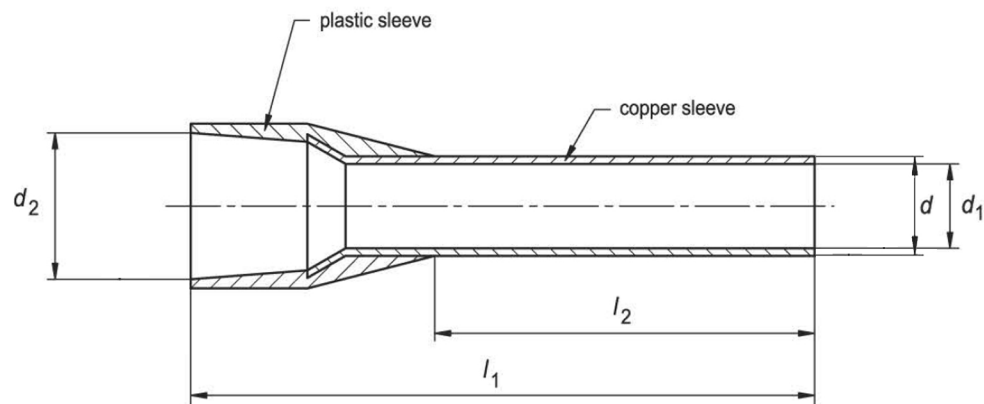
1. Maximum Electric Current: 310A
2. Maximum Electric Rating: 105°C 600 Volts Max
3. Insulation Material: Nylon
4. Insulation Color: Red
5. Terminal Material: Copper
6. Wire Range: 3/0 AWG (95.00mm²)

Standard (Metric)

L1: 1.73 (44.0mm)
 L2: 0.98 (25.0mm)
 D: 0.61 (15.6mm)
 D1: 0.58 (14.8mm)
 D2: 0.73 (18.5mm)

Tolerances

(Unless Otherwise Specified)



CATEGORY	Insulated Wire Ferrule	SCALE	4/1
PART #	AD950025	SHEET	1-1
MATERIAL	Tin-Plated Copper	PAGE	



FerrulesDirect

