

Notes:

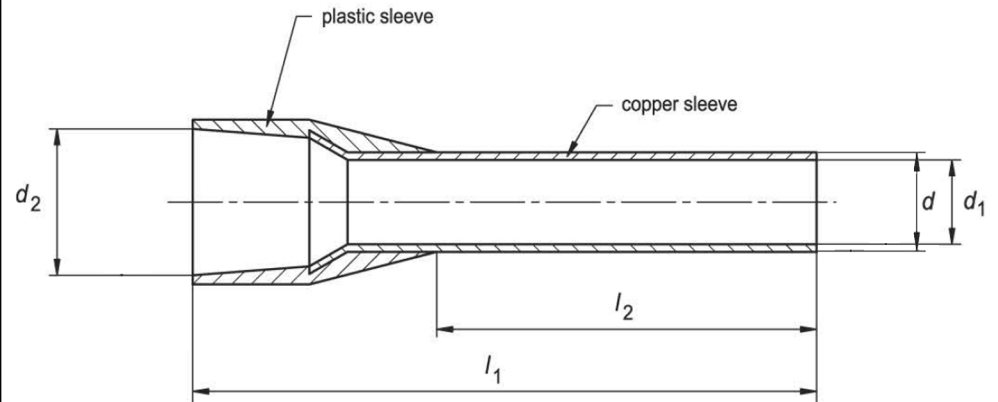
1. Maximum Electric Current: 50A
2. Maximum Electric Rating: 105°C 600 Volts Max
3. Insulation Material: Nylon
4. Insulation Color: Yellow
5. Terminal Material: Copper
6. Wire Range: 10 AWG (6.00mm²)

Standard (Metric)

L1: 1.02 (26.0mm)
L2: 0.71 (18.0mm)
D: 0.15 (3.9mm)
D1: 0.14 (3.5mm)
D2: 0.25 (6.3mm)

Tolerances

(Unless Otherwise Specified)



| | | | |
|-----------------|------------------------|--------------|-----|
| CATEGORY | Insulated Wire Ferrule | SCALE | 4/1 |
| PART # | AD60018 | SHEET | 1-1 |
| MATERIAL | Tin-Plated Copper | PAGE | |

