

## Notes:

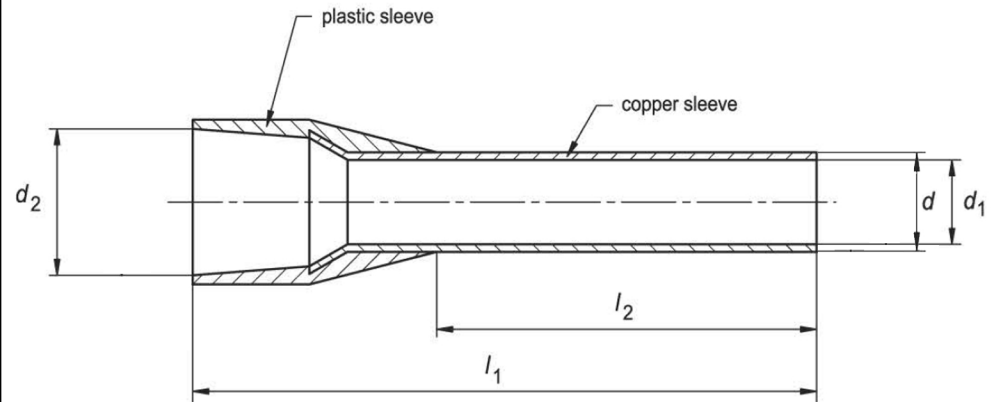
1. Maximum Electric Current: 230A
2. Maximum Electric Rating: 105°C 600 Volts Max
3. Insulation Material: Nylon
4. Insulation Color: Blue
5. Terminal Material: Copper
6. Wire Range: True 0 & 1/0 AWG (53.5mm<sup>2</sup>)

## Standard (Metric)

L1: 1.61 (41.0mm)  
L2: 0.98 (25.0mm)  
D: 0.48 (12.2mm)  
D1: 0.46 (11.6mm)  
D2: 0.64 (16.3mm)

## Tolerances

(Unless Otherwise Specified)



<b>CATEGORY</b>	Insulated Wire Ferrule	<b>SCALE</b>	4/1
<b>PART #</b>	AD560025	<b>SHEET</b>	1-1
<b>MATERIAL</b>	Tin-Plated Copper	<b>PAGE</b>	