

Notes:

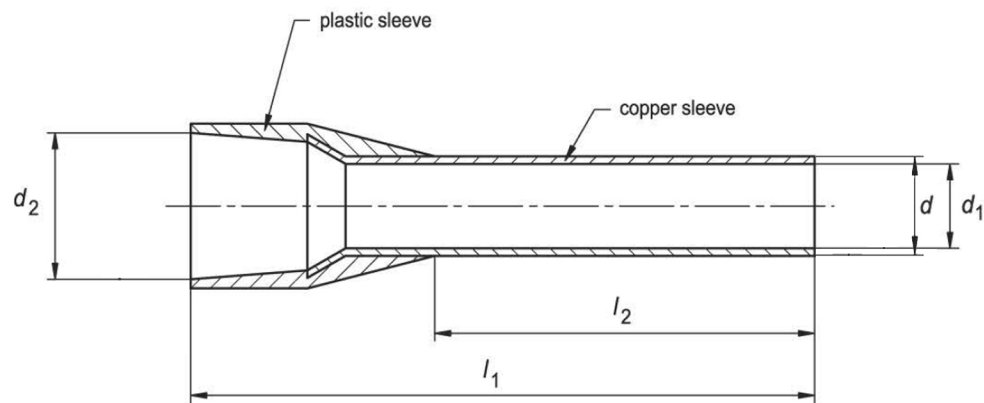
1. Maximum Electric Current: 170A
2. Maximum Electric Rating: 105°C 600 Volts Max
3. Insulation Material: Nylon
4. Insulation Color: Red
5. Terminal Material: Copper
6. Wire Range: 2 AWG (35.00mm²)

Standard (Metric)

L1: 1.53 (39.0mm)
L2: 0.98 (25.0mm)
D: 0.34 (8.7mm)
D1: 0.33 (8.3mm)
D2: 0.50 (12.7mm)

Tolerances

(Unless Otherwise Specified)



CATEGORY

Insulated Wire Ferrule

SCALE

4/1

PART

AD350025

SHEET

1-1

MATERIAL

Tin-Plated Copper

PAGE



FerrulesDirect

