

## Notes:

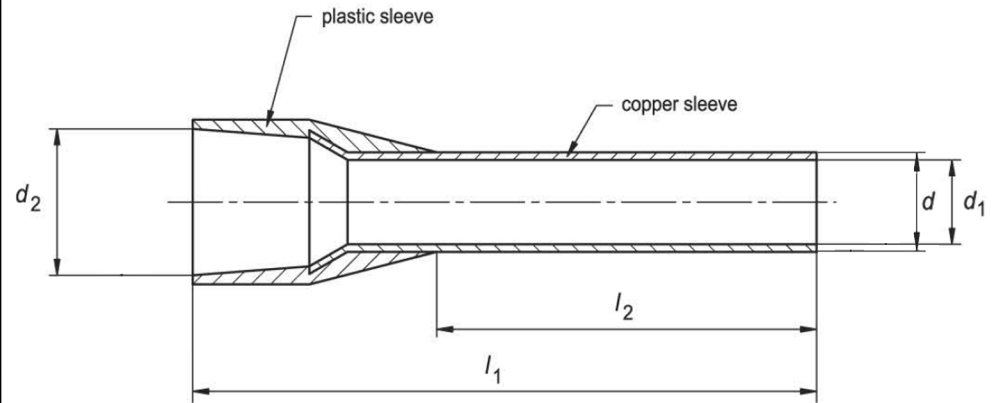
1. Maximum Electric Current: 18A
2. Maximum Electric Rating: 105°C 600 Volts Max
3. Insulation Material: Nylon
4. Insulation Color: Black
5. Terminal Material: Copper
6. Wire Range: 16 AWG (1.50mm<sup>2</sup>)

## Standard (Metric)

L1: 0.84 (21.3mm)  
L2: 0.59 (15.0mm)  
D: 0.08 (2.0mm)  
D1: 0.07 (1.7mm)  
D2: 0.14 (3.5mm)

## Tolerances

(Unless Otherwise Specified)



<b>CATEGORY</b>	Insulated Wire Ferrule	<b>SCALE</b>	4/1
<b>PART #</b>	AD15015	<b>SHEET</b>	1-1
<b>MATERIAL</b>	Tin-Plated Copper	<b>PAGE</b>	

