

## Notes:

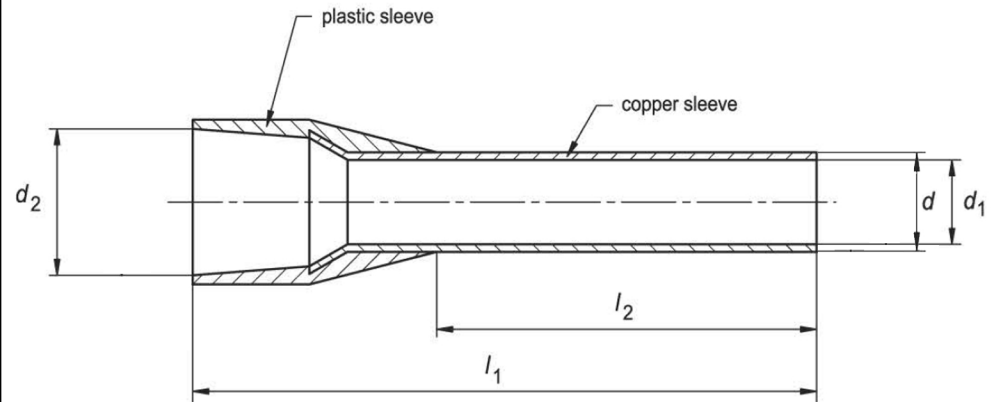
1. Maximum Electric Current: 405A
2. Maximum Electric Rating: 105°C 600 Volts Max
3. Insulation Material: Nylon
4. Insulation Color: Yellow
5. Terminal Material: Copper
6. Wire Range: 300MCM (150.00mm<sup>2</sup>)

## Standard (Metric)

L1: 2.07 (52.6mm)  
L2: 1.06 (27.0mm)  
D: 0.81 (20.6mm)  
D1: 0.77 (19.6mm)  
D2: 0.92 (23.4mm)

## Tolerances

(Unless Otherwise Specified)



<b>CATEGORY</b>	Insulated Wire Ferrule	<b>SCALE</b>	4/1
<b>PART #</b>	AD1500027	<b>SHEET</b>	1-1
<b>MATERIAL</b>	Tin-Plated Copper	<b>PAGE</b>	



**FerrulesDirect**

