

## Notes:

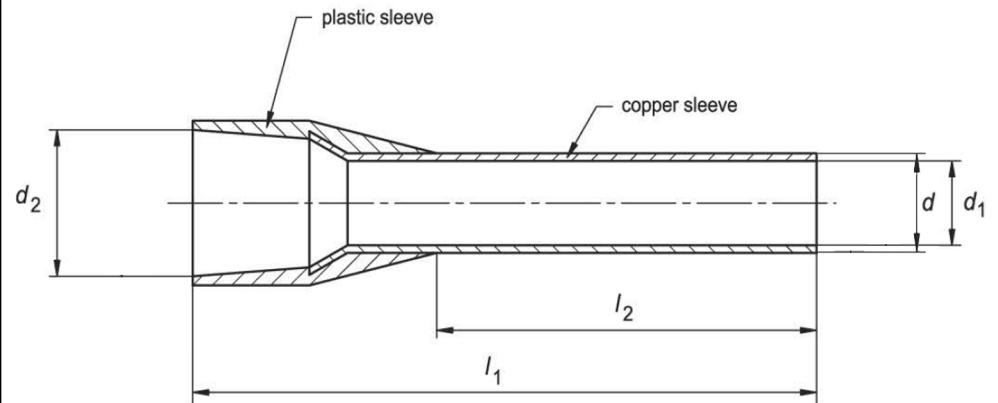
1. Maximum Electric Current: 18A
2. Maximum Electric Rating: 105°C 600 Volts Max
3. Insulation Material: Nylon
4. Insulation Color: Red
5. Terminal Material: Copper
6. Wire Range: 18 AWG (1.00mm<sup>2</sup>)

## Standard (Metric)

L1: 0.648 (16.46mm)  
L2: 0.39 (10.0mm)  
D: 0.07 (1.8mm)  
D1: 0.055 (1.4mm)  
D2: 0.11 (2.8mm)

## Tolerances

(Unless Otherwise Specified)



|                 |                        |              |     |
|-----------------|------------------------|--------------|-----|
| <b>CATEGORY</b> | Insulated Wire Ferrule | <b>SCALE</b> | 4/1 |
| <b>PART #</b>   | AD10010                | <b>SHEET</b> | 1-1 |
| <b>MATERIAL</b> | Tin-Plated Copper      | <b>PAGE</b>  |     |



**FerrulesDirect**