

## Notes:

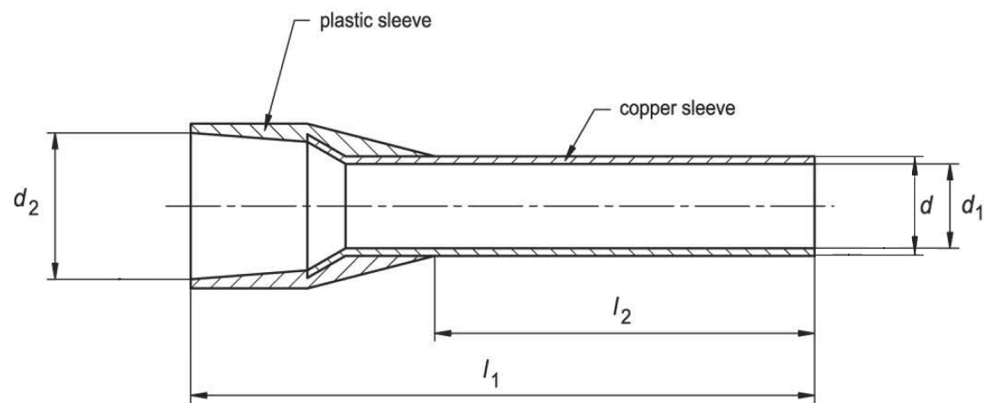
1. Maximum Electric Current: 7A
2. Maximum Electric Rating: 105°C 600 Volts Max
3. Insulation Material: Nylon
4. Insulation Color: Violet
5. Terminal Material: Copper
6. Wire Range: 24 AWG (0.25mm<sup>2</sup>)

## Standard (Metric)

L1: 0.49 (12.4mm)  
L2: 0.32 (8.0mm)  
D: 0.043 (1.10mm)  
D1: 0.031 (0.8mm)  
D2: 0.062 (1.6mm)

## Tolerances

(Unless Otherwise Specified)



<b>CATEGORY</b>	Insulated Wire Ferrule	<b>SCALE</b>	4/1
<b>PART #</b>	AD02508	<b>SHEET</b>	1-1
<b>MATERIAL</b>	Tin-Plated Copper	<b>PAGE</b>	



FerrulesDirect

